

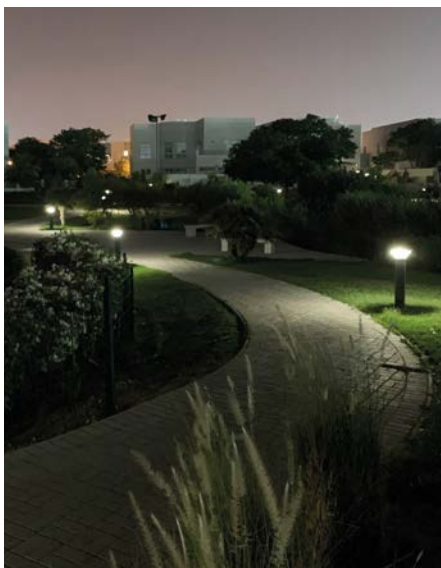
PD-005 Solar Bollard

The INVO PD-005 solar powered LED bollard is our most popular bollard, boasting an impressive 500 lumen light output.

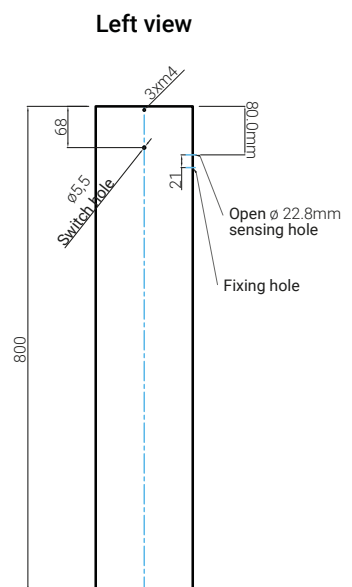
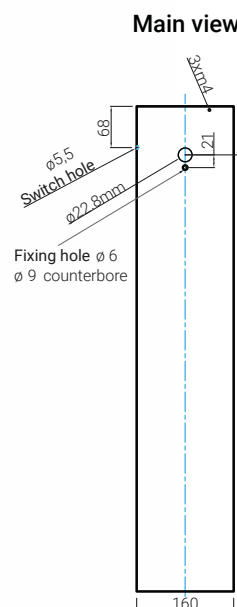
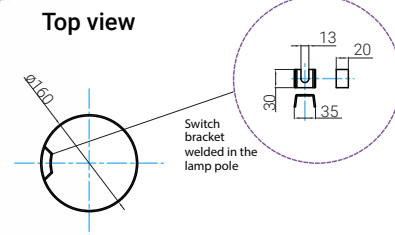
Using the most efficient LED chips coupled with the most advanced battery has enabled us to provide you with a solar powered bollard that will work throughout the UK seasons. We can achieve this all year lighting as we use a cutting edge MPPT controller to manage the power produced by the solar PV panel and the power for the high volume Lifepo4 battery. From the sunniest days right through to the darkest days in winter, the INVO PD-005 will be ready to light the way.



- > **NO** Electricity consumption
- > **NO** Running Costs
- > **NO** Trenching
- > **NO** Cabling
- > 5 year warranty (3 years for battery)
- > Microwave motion sensor integrated into the column with a detection radius of 5 metres
- > 180° motion sensor



Bollard shown in night setting

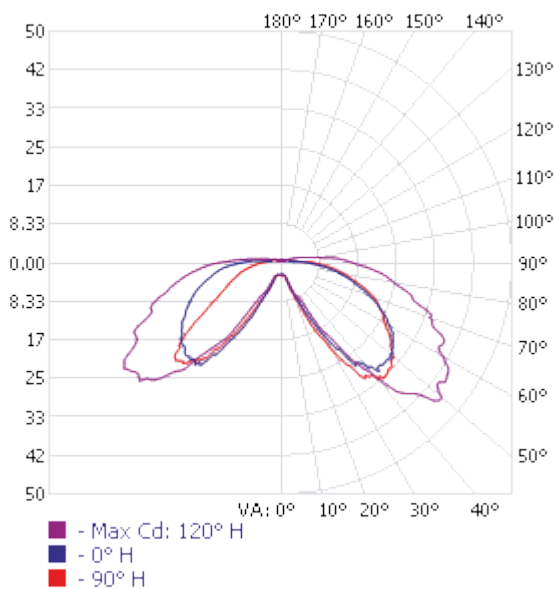


Specification	PD-005
Output	500 Lumens
Wattage	4 Watts LED
Battery	6Ah 6.4V Lithium battery
PV Panel	10 Watts Grade A
Charging Time	6 Hours Per Day
Material	Die Cast Aluminium
CCT Standard*	5000k
CCT Optional	2200k, 2700k, 3000k and 4000k
Autonomy	Over 23 hours at full charge
Dimensions	H100 x W39.3cm
Finish	Black
Sensor	PIR Sensor 5 meter range

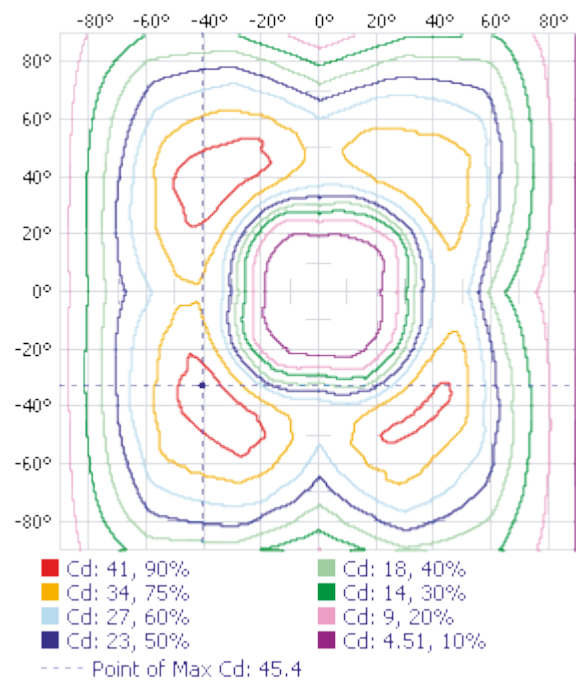
*Standard stock holding is 5000k, however we can supply 2200k (Amber), 2700k, 3000k and 4000k on special order.

** .ies files for lighting designs are on file and can be requested if required.

Polar Candela



Isocandela



For more information, or to book your FREE audit,
 call us on 01522 538212, email enquiries@involighting.co.uk
 or visit us at www.involighting.co.uk